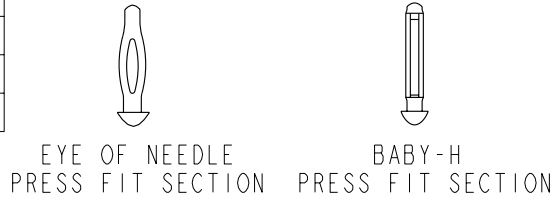


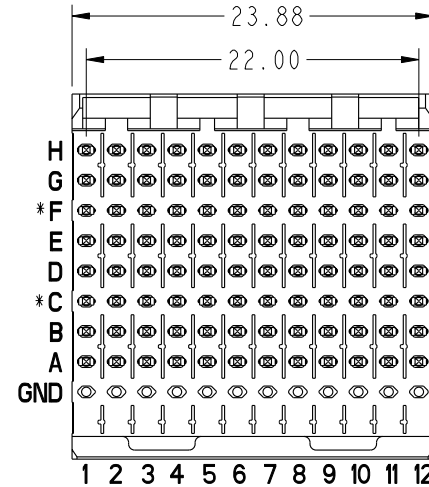
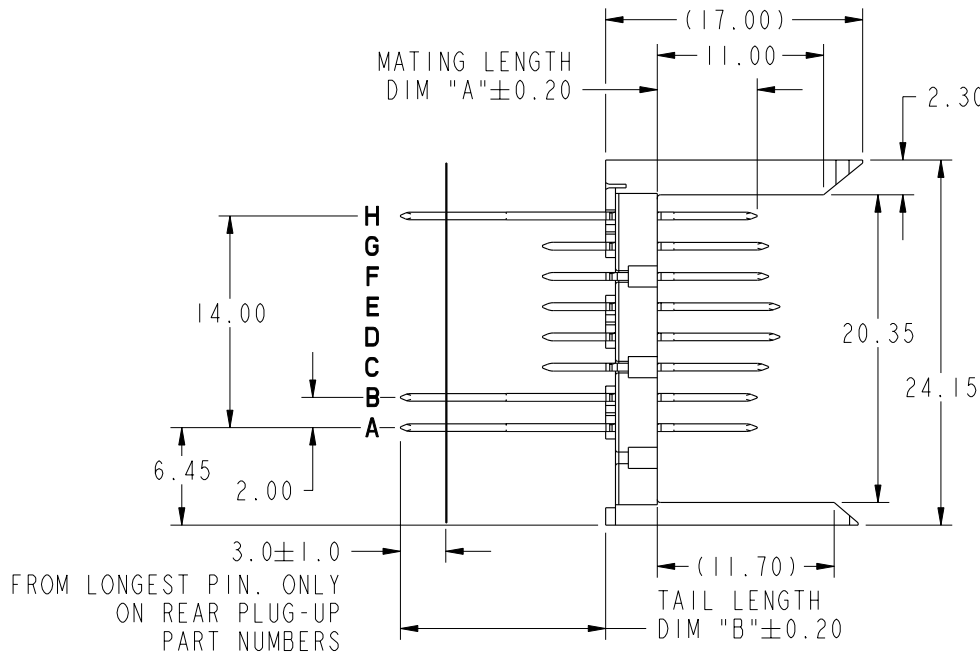
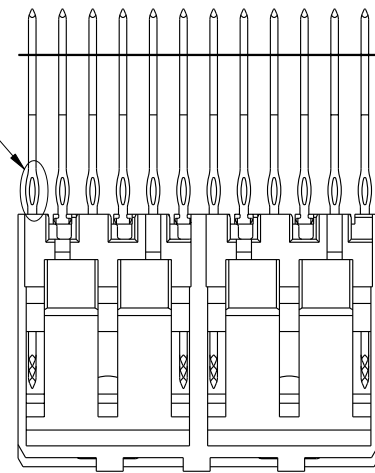


This document is the property of and embodies  
 CONFIDENTIAL and PROPRIETARY information of FCI.  
 No part of the information shown on this  
 document may be used in any way or disclosed  
 to others without the written consent of FCI.  
 Copyright FCI.

PRODUCT NUMBER	PLATING PERFORMANCE LEVEL
98030-1YYY	TELCORDIA CO
98030-1YYYYLF	TELCORDIA CO
98030-5YYY	TELCORDIA UE
98030-5YYYYLF	TELCORDIA UE



DETAIL A  
SCALE 4:1  
SEE NOTE 14



mat'l code SEE NOTE 3				tolerances unless otherwise specified			CUSTOMER	FCI		
ltr	ecn no.	dr	date	linear	0.X ±0.3		COPY	www.fciconnect.com		
T	V06-0573	DCH	2006-06-14		0.XX ±0.13		projection	title		
U	V07-0168	DCH	2007-03-23		.XXX ±.051			VERTICAL SIGNAL HDR 8 ROW		
V	V08-0030	HTB	2008-02-23	angles	0° ±2°			P.F. 96 POS. SELECT LOAD EXT.		
W	V08-0066	LP	2008-03-24	dr	E. KROPER.	2001-01-15		product family	METRAL	code
-	-	-	-	engr	J. VOLSTORF	2001-01-15		size	dwg no	213
R	V05-0955	LP	2005-11-09	chr	J. VOLSTORF	2001-01-15	scale 1:1	A	98030	sheet 1 of 6
S	V06-0029	DAI	2006-01-12	appd	J. VOLSTORF	2001-01-15				
sheet index	revision sheet	W	W	W	W	W	W	cage code		4
		1	2	3	4	5	6	22526		

PIN NO.	DIM A MATING LENGTH	DIM B TAIL LENGTH	PCB THICKNESS RANGE ACCOMMODATED BY PIN'S TAIL LENGTH
			ROWS A,B,C,D,E,F,G, & H
01*	5.00	4.30	1.60 MIN
22		12.20	2.95 - 3.80
30		12.95	2.95 - 4.55
05		13.70	2.95 - 5.30
35		14.45	3.05 - 6.05
48		15.20	3.80 - 6.80
40		15.70	4.30 - 7.30
65		16.40	5.00 - 8.00
09		17.10	5.70 - 8.70
02*	5.75	4.30	1.60 MIN
44		12.20	2.95 - 3.80
31		12.95	2.95 - 4.55
06		13.70	2.95 - 5.30
36		14.45	3.05 - 6.05
49		15.20	3.80 - 6.80
25		15.70	4.30 - 7.30
66		16.40	5.00 - 8.00
10		17.10	5.70 - 8.70
03*	6.50	4.30	1.60 MIN
45		12.20	2.95 - 3.80
32		12.95	2.95 - 4.55
07		13.70	2.95 - 5.30
37		14.45	3.05 - 6.05
50		15.20	3.80 - 6.80
41		15.70	4.30 - 7.30
24		16.40	5.00 - 8.00
11		17.10	5.70 - 8.70

PIN NO.	DIM A MATING LENGTH	DIM B TAIL LENGTH	PCB THICKNESS RANGE ACCOMMODATED BY PIN LENGTH
			ROWS A,B,C,D,E,F,G & H
04*	7.25	4.30	1.60 MIN
46		12.20	2.95 - 3.80
33		12.95	2.95 - 4.55
08		13.70	2.95 - 5.30
38		14.45	3.05 - 6.05
51		15.20	3.80 - 6.80
42		15.70	4.30 - 7.30
67		16.40	5.00 - 8.00
12		17.10	5.70 - 8.70
19*	8.00	4.30	1.60 MIN
47		12.20	2.95 - 3.80
34		12.95	2.95 - 4.55
20		13.70	2.95 - 5.30
39		14.45	3.05 - 6.05
52		15.20	3.80 - 6.80
43		15.70	4.30 - 7.30
68		16.40	5.00 - 8.00
21		17.10	5.70 - 8.70



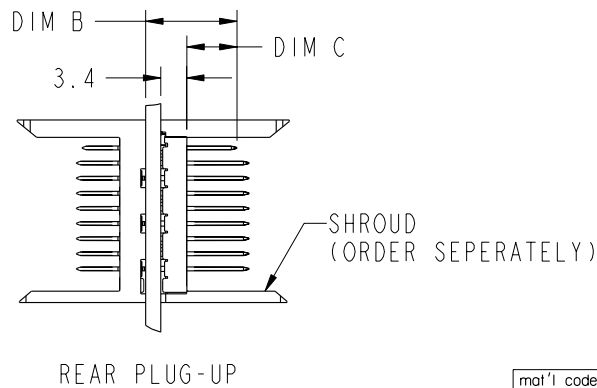
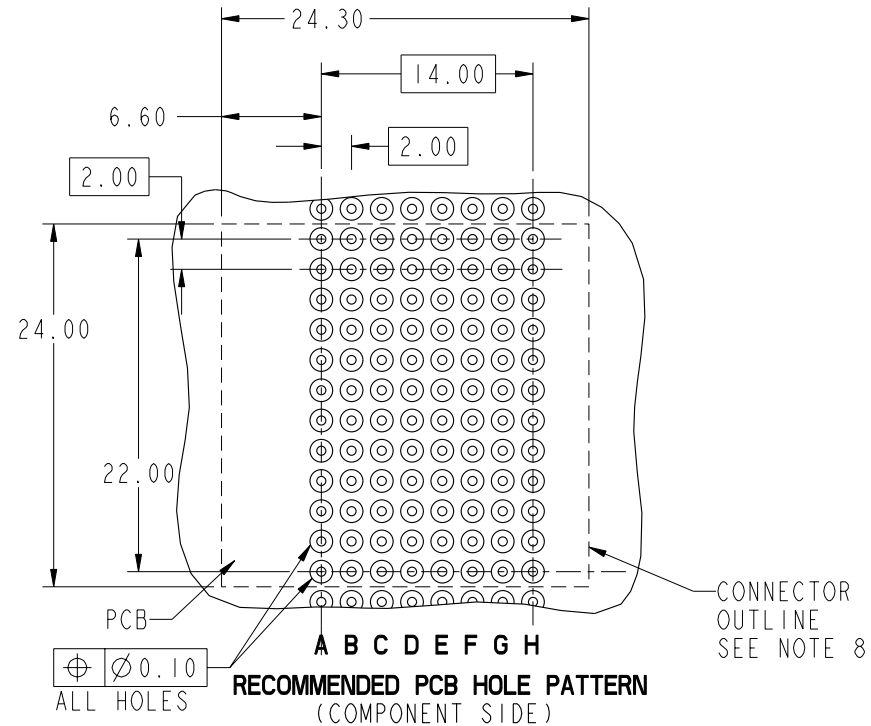
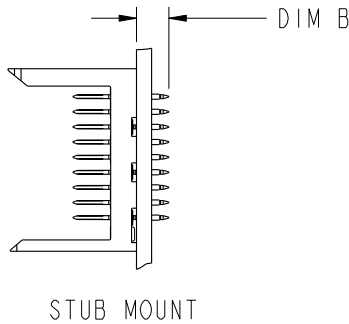
This document is the property of and embodies CONFIDENTIAL and PROPRIETARY information of FCI. No part of the information shown on this document may be used in any way or disclosed to others without the written consent of FCI. Copyright FCI.

\* STUB PINS - NO REAR PLUG-UP

mat'l code SEE NOTE 3				tolerances unless otherwise specified			CUSTOMER		FCI www.fciconnect.com	
ltr	ecr no.	dr	date	linear	0.X ±0.3		COPY		title VERTICAL SIGNAL HDR 8 ROW P.F. 96 POS. SELECT LOAD EXT.	
W					0.XX ±0.13		projection			
					.XXX ±.051					
				angles	0° ±2°					
				dr	E. KROPER.	2001-01-15	MM		product family METRAL code	
				engr	J. VOLSTORF	2001-01-15			size 213	
				chr	J. VOLSTORF	2001-01-15	scale 1:1		sheet 2	
				appd	J. VOLSTORF	2001-01-15	A		98030	
sheet index	revision sheet									

PRODUCT NUMBER  
SEE SHEET 1

PRESS-FIT HOLES	OPTION 1
HOLE DIAMETER AFTER PLATING	Ø 0.65-0.80
DRILLED HOLE	Ø 0.81-0.86 (Ø 0.85 DRILL)
COPPER PLATING	0.025 MIN
SnPb PLATING	0.005-0.015



SEE PRINT 58351 FOR  
ADDITIONAL PCB INFORMATION

mat'l code SEE NOTE 3				tolerances unless otherwise specified		CUSTOMER		FCj www.fciconnect.com			
ltr	ecm no.	dr	date	linear	0.X ±0.3	COPY		projection	title VERTICAL SIGNAL HDR 8 ROW P.F. 96 POS. SELECT LOAD EXT.		
W					0.XX ±0.13	MM				product family METRAL	code 213
					.XXX ±.051	← MM →					
				angles	0° ±2°	scale 1:1		dwg no 98030	cage code 22526		
				dr	E. KROPER. 2001-01-15					A	3
				enrg	J. VOLSTORF 2001-01-15						
				chr	J. VOLSTORF 2001-01-15						
				appd	J. VOLSTORF 2001-01-15						
sheet index	revision sheet										

This document is the property of and embodies  
CONFIDENTIAL and PROPRIETARY information of FCj.  
No part of the information shown on this  
document may be used in any way or disclosed  
to others without the written consent of FCj.  
Copyright FCj.



This document is the property of and embodies CONFIDENTIAL and PROPRIETARY information of FCI. No part of the information shown on this document may be used in any way or disclosed to others without the written consent of FCI. Copyright FCI.

1   2													3													4																		
METRAL P/N		CONTACT CODE											METRAL P/N		CONTACT CODE											METRAL P/N		CONTACT CODE																
ROW		1	2	3	4	5	6	7	8	9	10	11	12	ROW		1	2	3	4	5	6	7	8	9	10	11	12	ROW		1	2	3	4	5	6	7	8	9	10	11	12			
98030-X001 SEE NOTE 13 LEAD FREE OPTION		H	03	03	03	03	03	03	03	03	03	03	-	98030-X005 SEE NOTE 13 LEAD FREE OPTION		H	02	02	02	02	02	02	02	02	02	02	02	02	02	98030-X009 SEE NOTE 13 LEAD FREE OPTION		H	01	03	03	03	03	03	03	03	03	03	03	03
		G	04	04	04	04	04	04	04	04	04	04	04			04	G	02	02	02	02	02	02	02	02	02	02	02	02			G	01	03	03	03	03	03	03	03	03	03	03	03
		F	04	04	04	04	04	04	04	04	04	04	04			04	F	02	02	02	02	02	02	02	02	02	02	02	02			F	01	03	03	03	03	03	03	03	03	03	03	03
		E	19	19	19	19	19	19	19	19	19	19	19			19	E	02	02	02	02	02	02	02	02	02	01	02	02			E	01	03	03	03	03	03	03	03	03	03	03	03
		D	19	19	19	19	19	19	19	19	19	19	19			19	D	02	02	02	02	02	02	02	02	02	02	02	02			D	01	03	03	03	03	03	03	03	03	03	03	03
		C	04	04	04	04	04	04	04	04	04	04	04			04	C	02	02	02	02	02	02	02	02	02	02	02	02			C	01	03	03	03	03	03	03	03	03	03	03	03
		B	03	03	03	03	03	03	03	03	03	03	03			03	B	02	02	02	02	02	02	02	02	02	02	02	02			B	01	03	03	03	03	03	03	03	03	03	03	03
		A	03	03	03	03	03	03	03	03	03	03	03			03	A	02	02	02	02	02	02	02	02	02	02	02	02			A	01	03	03	03	03	03	03	03	03	03	03	03
		GND	-	-	-	-	-	-	-	-	-	-	-			-	GND	-	-	-	-	-	-	-	-	-	-	-	-			GND	-	-	-	-	-	-	-	-	-	-	-	-
98030-X002 SEE NOTE 13 LEAD FREE OPTION		H	04	04	04	04	-	04	-	04	04	-	-	98030-X006 SEE NOTE 13 LEAD FREE OPTION		H	03	03	03	03	04	04	04	02	02	02	02	02	98030-X010 SEE NOTE 13 LEAD FREE OPTION		H	03	03	03	03	03	03	03	03	03	03	03	01	
		G	03	03	03	03	03	-	03	-	03	03	-			-	G	03	03	03	03	04	04	04	02	02	02	02			02	G	03	03	03	03	03	03	03	03	03	03	03	01
		F	03	03	03	03	03	-	03	-	03	03	-			-	F	03	03	03	03	04	04	04	02	02	02	02			02	F	03	03	03	03	03	03	03	03	03	03	03	01
		E	02	02	02	02	02	-	02	-	02	02	-			-	E	03	03	03	03	04	04	04	02	02	01	02			02	E	03	03	03	03	03	03	03	03	03	03	03	01
		D	02	02	02	02	02	-	02	-	02	02	-			-	D	03	03	03	03	04	04	04	02	02	02	02			02	D	03	03	03	03	03	03	03	03	03	03	03	01
		C	03	03	03	03	03	-	03	-	03	03	-			-	C	03	03	03	03	04	04	04	02	02	02	02			02	C	03	03	03	03	03	03	03	03	03	03	03	01
		B	04	04	04	04	04	-	04	-	04	04	-			-	B	03	03	03	03	04	04	04	02	02	02	02			02	B	03	03	03	03	03	03	03	03	03	03	03	01
		A	04	04	04	04	04	-	04	-	04	04	-			-	A	03	03	03	03	04	04	04	02	02	02	02			02	A	03	03	03	03	03	03	03	03	03	03	03	01
		GND	-	-	-	-	-	-	-	-	-	-	-			-	GND	-	-	-	-	-	-	-	-	-	-	-			-	GND	-	-	-	-	-	-	-	-	-	-	-	-
98030-X003 SEE NOTE 13 LEAD FREE OPTION		H	04	04	-	-	04	04	04	04	04	04	04	98030-X007 *RPU SEE NOTE 13 LEAD FREE OPTION		H	07	07	07	07	08	08	08	06	06	06	06	06	98030-X011 * SEE NOTE 13 LEAD FREE OPTION		H	30	37	37	37	37	37	37	37	37	37	37	37	
		G	03	03	-	-	03	03	03	03	03	03	03			03	G	07	07	07	07	08	08	08	06	06	06	06			06	G	37	37	37	37	37	37	37	37	37	37	37	37
		F	03	03	-	-	03	03	03	03	03	03	03			03	F	07	07	07	07	08	08	08	06	06	06	06			06	F	37	37	37	37	37	37	37	37	37	37	37	37
		E	02	02	-	-	02	02	02	02	02	02	02			02	E	07	07	07	07	08	08	08	06	06	06	06			06	E	51	37	37	37	37	37	37	37	37	37	37	37
		D	02	02	-	-	02	02	02	02	02	02	02			02	D	07	07	07	07	08	08	08	06	06	06	06			06	D	51	37	37	37	37	37	37	37	37	37	37	37
		C	03	03	-	-	03	03	03	03	03	03	03			03	C	07	07	07	07	08	08	08	06	06	06	06			06	C	37	37	37	37	37	37	37	37	37	37	37	37
		B	04	04	-	-	04	04	04	04	04	04	04			04	B	07	07	07	07	08	08	08	06	06	06	06			06	B	37	37	37	37	37	37	37	37	37	37	37	37
		A	04	04	-	-	04	04	04	04	04	04	04			04	A	07	07	07	07	08	08	08	06	06	06	06			06	A	30	37	37	37	37	37	37	37	37	37	37	37
		GND	-	-	-	-	-	-	-	-	-	-	-			-	GND	-	-	-	-	-	-	-	-	-	-	-			-	GND	-	-	-	-	-	-	-	-	-	-	-	-
98030-X004 SEE NOTE 13 LEAD FREE OPTION		H	-	01	01	-	01	01	-	01	01	-	01	01	98030-X008 SEE NOTE 13 LEAD FREE OPTION		H	02	02	02	02	02	02	02	02	02	02	02	02	98030-X012 SEE NOTE 13 LEAD FREE OPTION		H	-	02	-	02	-	02	-	02	-	02	-	02
		G	-	01	01	-	01	01	-	01	01	-	01	01			G	02	02	02	02	02	02	02	02	02	02	02	02			G	02	-	02	-	02	-	02	-	02	-	02	-
		F	-	01	01	-	01	01	-	01	01	-	01	01			F	02	02	02	02	02	02	02	02	02	02	02	02			F	-	02	-	02	-	02	-	02	-	02	-	02
		E	-	01	01	-	01	01	-	01	01	-	01	01			E	02	02	02	02	02	02	02	02	02	02	02	02			E	02	-	02	-	02	-	02	-	02	-	02	-
		D	-	01	01	-	01	01	-	01	01	-	01	01			D	02	02	02	02	02	02	02	02	01	02	02	02			D	-	02	-	02	-	02	-	02	-	02	-	02
		C	-	01	01	-	01	01	-	01	01	-	01	01			C	02	02	02	02	02	02	02	02	02	02	02	02			C	02	-	02	-	02	-	02	-	02	-	02	-
		B	-	01	01	-	01	01	-	01	01	-	01	01			B	02	02	02	02	02	02	02	02	02	02	02	02			B	-	02	-	02	-	02	-	02	-	02	-	02
		A	-	01	01	-	01	01	-	01	01	-	01	01			A	02	02	02	02	02	02	02	02	02	02	02	02			A	02	-	02	-	02	-	02	-	02	-	02	-
		GND	-	-	-	-	-	-	-	-	-	-	-	-			GND	-	-	-	-	-	-	-	-	-	-	-	-			GND	-	-	-	-	-	-	-	-	-	-	-	-

\* REAR PLUG-UP PART NUMBER

mat'l code SEE NOTE 3				tolerances unless otherwise specified				CUSTOMER				
ltr	ecr no.	dr	date	0.X ±0.3		COPY		www.fciconnect.com				
W				0.XX ±0.13		projection		title VERTICAL SIGNAL HDR 8 ROW P.F. 96 POS. SELECT LOAD EXT.				
				.XXX ±.051				product family METRAL code 213				
				0° ±2°		MM		size 98030 sheet 4				
				dr	E. KROPER.	2001-01-15	scale 1:1		cage code 22526			
				enrg	J. VOLSTORF	2001-01-15						
				chr	J. VOLSTORF	2001-01-15						
				appd	J. VOLSTORF	2001-01-15						
sheet index	revision sheet											

METRAL P/N	ROW	CONTACT CODE											
		1	2	3	4	5	6	7	8	9	10	11	12
98030-X013 SEE NOTE 13 LEAD FREE OPTION	H	02	02	02	02	02	02	02	02	02	02	02	02
	G	02	02	02	02	02	02	02	02	02	02	02	02
	F	04	04	02	02	02	02	02	02	02	02	02	02
	E	02	02	02	02	02	02	02	02	02	02	02	02
	D	02	02	02	02	02	02	02	02	02	02	02	02
	C	02	02	02	02	02	02	02	02	02	02	02	02
	B	02	02	02	02	02	02	02	02	02	02	02	02
	A	02	02	02	02	02	02	02	02	02	02	02	02
	GND	-	-	-	-	-	-	-	-	-	-	-	-
98030-X014 SEE NOTE 13 LEAD FREE OPTION	H	02	02	02	02	02	02	02	02	02	02	02	
	G	02	02	02	02	02	02	02	02	02	02	02	
	F	04	04	02	02	02	02	01	02	02	02	02	
	E	02	02	02	02	02	02	02	02	02	02	02	
	D	02	02	02	02	02	02	02	02	02	02	02	
	C	02	02	02	02	02	02	02	02	02	02	02	
	B	02	02	02	02	02	02	02	02	02	02	02	
	A	02	02	02	02	02	02	02	02	02	02	02	
	GND	-	-	-	-	-	-	-	-	-	-	-	
98030-X015 * SEE NOTE 13 LEAD FREE OPTION	H	-	55	-	55	-	55	-	55	-	55	-	
	G	55	-	55	-	55	-	55	-	55	-	55	
	F	-	55	-	55	-	55	-	55	-	55	-	
	E	55	-	55	-	55	-	55	-	55	-	55	
	D	-	55	-	55	-	55	-	55	-	55	-	
	C	55	-	55	-	55	-	55	-	55	-	55	
	B	-	55	-	55	-	55	-	55	-	55	-	
	A	55	-	55	-	55	-	55	-	55	-	55	
	GND	-	-	-	-	-	-	-	-	-	-	-	
98030-X016 * SEE NOTE 13 LEAD FREE OPTION	H	55	55	55	55	55	55	55	55	55	55	55	
	G	55	55	55	55	55	55	55	55	55	55	55	
	F	57	57	55	55	55	55	55	55	55	55	55	
	E	55	55	55	55	55	55	55	55	55	55	55	
	D	55	55	55	55	55	55	55	55	55	55	55	
	C	55	55	55	55	55	55	55	55	55	55	55	
	B	55	55	55	55	55	55	55	55	55	55	55	
	A	55	55	55	55	55	55	55	55	55	55	55	
	GND	-	-	-	-	-	-	-	-	-	-	-	



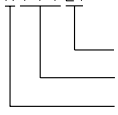
This document is the property of and embodies CONFIDENTIAL and PROPRIETARY information of FCI. No part of the information shown on this document may be used in any way or disclosed to others without the written consent of FCI. Copyright FCI.

\*REAR PLUG-UP PART NUMBER

mat'l code SEE NOTE 3		tolerances unless otherwise specified		CUSTOMER		www.fciconnect.com		
ltr	ecn no.	dr	date	linear	0.X ±0.3	COPY		
W					0.XX ±0.13	projection	title VERTICAL SIGNAL HDR 8 ROW P.F. 96 POS. SELECT LOAD EXT.	
					angles	0° ±2°		
				dr	E. KROPER. 2001-01-15	MM		
				engr	J. VOLSTORF 2001-01-15	product family METRAL code		
				chr	J. VOLSTORF 2001-01-15	size		
				appd	J. VOLSTORF 2001-01-15	dwg no		
sheet	revision					98030		
index	sheet					213		
						5		

PRODUCT NUMBER  
SEE SHEET 1


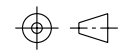



NOTES:

1. SEE APPLICATION SPECIFICATION GS-20-010 FOR INFORMATION ON AVAILABLE TOOLING, CIRCUIT BOARD DESIGN CONSIDERATIONS, REPAIR PROCEDURES AND PRODUCT OFFERINGS.
2. UNLESS OTHERWISE SPECIFIED, ALL DIMENSIONS AND TOLERANCES ARE IN ACCORDANCE WITH ASME Y14.5M, 1994
3. HOUSING MATERIAL: LIQUID CRYSTAL POLYMER, 30% GLASS FILLED, FLAME RETARDANT PER UL 94-V0. PIN MATERIAL: PHOSPHOR BRONZE
4. PLATING ON CONTACT AREAS PER PERFORMANCE LEVELS SHOWN IN TABLE ON SHEET 1. PLATING ON "LF" TAILS IS Sn. PLATING ON ALL OTHER TAILS IS SnPb.
5. DIMENSIONAL RESTRICTIONS OF PINS IN HEADERS.  
DIM A : 5.0mm MIN, 8.0mm MAX FOR ROWS A-H  
DIM C : 5.0mm MIN, 8.0mm MAX FOR ROWS A-H
6. THE MIN PCB THICKNESS FOR REAR PLUG-UP APPLICATIONS IS 1.6mm
7. USE SHROUD 98173-102 FOR REAR PLUG-UP APPLICATIONS.
8. THE 'CONNECTOR OUTLINE' IS THE MIN OUTLINE REQUIRED. TO DETERMINE THE OUTLINE NECESSARY TO PERMIT THE VARIOUS TYPES OF REPAIR OPERATIONS, SEE APPLICATION SPECIFICATION GS-20-010.
9. CURRENT RATING : 1 AMP PER PIN
10. TEMPERATURE RANGE : -55°C TO +105°C
11. P/N 98030-XXXXLF  


LEAD FREE (OPTIONAL)  
SELECT LOAD PATTERN  
PLATING CODE
12. PRODUCTS WHERE THE PART NUMBERS ENDS IN "LF" MEET EUROPEAN UNION DIRECTIVES AND OTHER COUNTRY REGULATIONS AS DESCRIBED IN GS-22-008.  
  
ALL PRODUCTS WILL WITHSTAND EXPOSURE TO 260° C FOR 60 SECONDS IN A CONVECTION, INFRA-RED OR VAPOR PHASE REFLOW OVEN.
13. FOR LEAD FREE PART NUMBERS ADD "LF" SUFFIX. EXAMPLE: 98030-XXXXLF
14. PIN TYPE IS AT THE MANUFACTURERS OPTION AND CAN BE EITHER BABY-H OR EYE OF THE NEEDLE STYLE



This document is the property of and embodies CONFIDENTIAL and PROPRIETARY information of FCI. No part of the information shown on this document may be used in any way or disclosed to others without the written consent of FCI. Copyright FCI.

mat'l code SEE NOTE 3				tolerances unless otherwise specified		CUSTOMER		 <a href="http://www.fciconnect.com">www.fciconnect.com</a>				
ltr	ecn no.	dr	date	linear	0.X ±0.3		COPY			title VERTICAL SIGNAL HDR 8 ROW P.F. 96 POS. SELECT LOAD EXT.		
W					0.XX ±0.13		projection					
					.XXX ±.051							
				angles	0° ±2°				product family METRAL	code 213		
				dr	E. KROPER.	2001-01-15	MM 				size A	sheet 6
				engr	J. VOLSTORF	2001-01-15	scale 1:1					
				chr	J. VOLSTORF	2001-01-15	product family METRAL					
				appd	J. VOLSTORF	2001-01-15	size 98030					
sheet index	revision sheet											